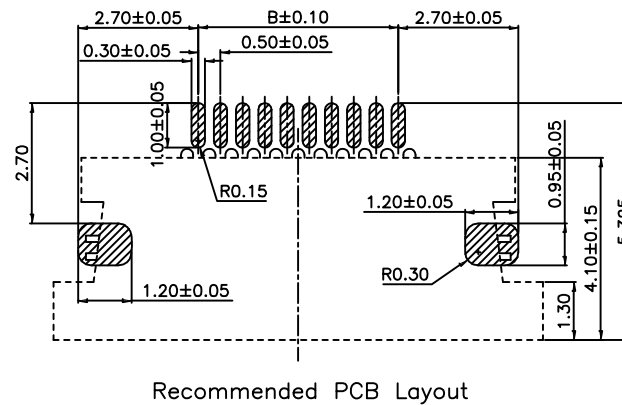
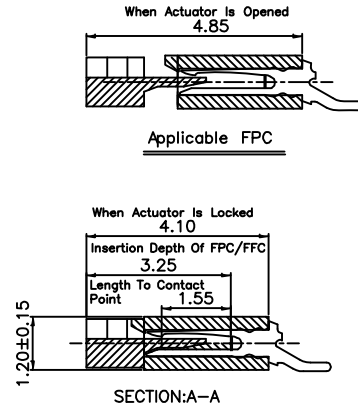
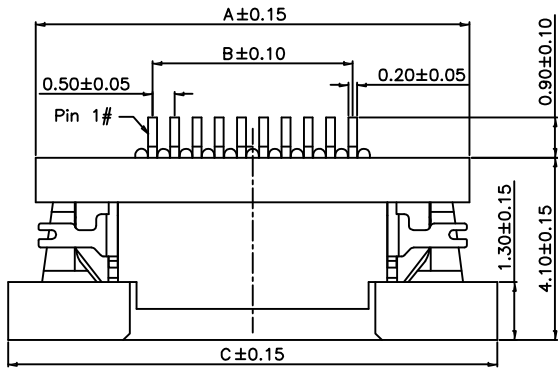


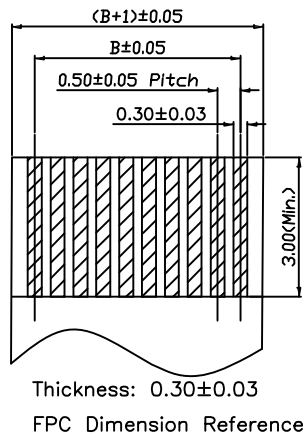
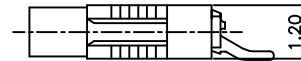
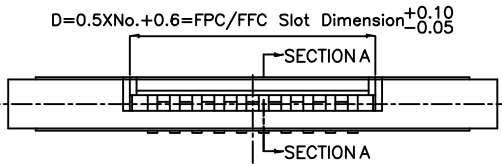
RevNo	Revision note	Date	Signature	Checked
A	DRAWING RELEASE	06 MAR 09	PN	JC



Dimension:

No. of Contacts	Dim. A	Dim. B	Dim. C	Dim. D
* 4	6.75	1.50	8.00	2.60
* 5	7.25	2.00	8.50	3.10
* 6	7.75	2.50	9.00	3.60
* 7	8.25	3.00	9.50	4.10
* 8	8.75	3.50	10.00	4.60
* 9	9.25	4.00	10.50	5.10
* 10	9.75	4.50	11.00	5.60
* 11	10.25	5.00	11.50	6.10
* 12	10.75	5.50	12.00	6.60
* 13	11.25	6.00	12.50	7.10
* 14	11.75	6.50	13.00	7.60
* 15	12.25	7.00	13.50	8.10
* 16	12.75	7.50	14.00	8.60
* 17	13.25	8.00	14.50	9.10
* 18	13.75	8.50	15.00	9.60
* 19	14.25	9.00	15.50	10.10
* 20	14.75	9.50	16.00	10.60
* 21	15.25	10.00	16.50	11.10
* 22	15.75	10.50	17.00	11.60
* 23	16.25	11.00	17.50	12.10
* 24	16.75	11.50	18.00	12.60
* 25	17.25	12.00	18.50	13.10
* 26	17.75	12.50	19.00	13.60
* 27	18.25	13.00	19.50	14.10
* 28	18.75	13.50	20.00	14.60
* 29	19.25	14.00	20.50	15.10
* 30	19.75	14.50	21.00	15.60
* 31	20.25	15.00	21.50	16.10
* 32	20.75	15.50	22.00	16.60
* 33	21.25	16.00	22.50	17.10
* 34	21.75	16.50	23.00	17.60
* 35	22.25	17.00	23.50	18.10
* 36	22.75	17.50	24.00	18.60
* 37	23.25	18.00	24.50	19.10
* 38	23.75	18.50	25.00	19.60
* 39	24.25	19.00	25.50	20.10
* 40	24.75	19.50	26.00	20.60
* 41	25.25	20.00	26.50	21.10
* 42	25.75	20.50	27.00	21.60
* 43	26.25	21.00	27.50	22.10
* 44	26.75	21.50	28.00	22.60
* 45	27.25	22.00	28.50	23.10
* 46	27.75	22.50	29.00	23.60
* 47	28.25	23.00	29.50	24.10
* 48	28.75	23.50	30.00	24.60
* 49	29.25	24.00	30.50	25.10
* 50	29.75	24.50	31.00	25.60

* - TOOLED PARTS
(PLEASE CONTACT IMPERIAL FOR NON-TOOLED PARTS)



ORDERING INFORMATION

05N16 - XXZ - OFN

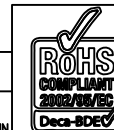
NO. OF CONTACTS
04 TO 50

SPECIFICATION

CURRENT RATING: 0.5A AC/DC
VOLTAGE RATING: 50V AC/DC
CONTACT RESISTANCE: 20m OHM MAX.
INSULATOR RESISTANCE: 50M OHM MIN.
WITHSTANDING VOLTAGE: 500V AC FOR ONE MINUTE
OPERATING TEMPERATURE RANGE: -25°C ~ +85°C

MATERIAL AND FINISH:

INSULATOR: HIGH TEMP PLASTIC (NYLON 46 UL94V-0)
INSULATOR COLOUR: WHITE
CONTACT: PHOSPHOR BRONZE
PLATING: MATT TIN (LEAD FREE)
SOLDERING TEMP PROFILE:
IR REFLOW TEMP: 260°C, 5 SEC MAX.
MANUAL SOLDERING TEMP: 400°C, 3 SEC MAX.



Drawn by:-
PN

Date:-
06 MAR 09

Scale:-
NTS

Material:-
SEE NOTE

Revision
A

Part Number:-
05N16



0.5mm FPC CONNECTOR
TOP CONTACT TYPE, SIDE ENTRY

© THIS DRAWING IS CONFIDENTIAL AND MUST NOT BE COPIED OR DISCLOSED WITHOUT WRITTEN CONSENT

E and OE Sheet 1/1